

# PRIMARY PACKAGING SOLUTIONS

TUBES | JARS | DEODORANT CONTAINERS | DROPPERS | PUMPS

Made in North America

Premium Finishes & Detailing

Sustainable

Mono-Material

Up to 100% PCR

Refillable options

Recyclable + Recycle ready



FOR MORE INFO VISIT US AT:

Viva-Healthcare.com | +1 416 321 0622  
1663 Neilson Road, Toronto, ON MIX 1T1

Vivapackaging.be | +3232019797  
Noorderlaan 31A, Antwerp, Belgium

 Viva  Viva\_Packaging  VivaHealthcarePackaging



SEE OUR PRODUCT RANGE ONLINE!

# Domestic Manufacturing

Viva is the leading manufacturer of injection-molded primary packaging in North America and Europe, offering sustainable options in fully decorated thick wall jars, mascara and lipgloss bottles, and award-winning tubes and deodorant sticks.

## VERTICALLY INTEGRATED MANUFACTURING - Proudly Made in North America

### DESIGNING AND PROTOTYPING

- 3D printing
- Unit cavity molds
- Mold design and fabrication
- Automation

### MOLDING

- Tubes, accessories, and closures
- Deodorant sticks
- Thick wall jars and lids
- Mascara and lipgloss bottles
- Droppers
- Dip-tube pumps
- Compacts

### IN-HOUSE PRINTING AND DECORATION

- Film Extrusion
- Plate-making
- Printing
  - In-mold labels
  - Heat-transfer labels
  - Pressure-sensitive labels
- Water-transfer decorating
- Vacuum metallizing
- Spray varnish
- Hot stamping
- Direct print silkscreening
- Soft touch

## CERTIFICATIONS AND CREDENTIALS

- BRC Global Standard for Packaging and Packaging Materials
- ISO9001:2015
- EcoVadis
- CDP (Carbon Disclosure Project)
- Manufacture 2030
- GMI Certification for Walgreens
- C-TPAT - Customs-Trade Partnership Against Terrorism



## AWARD-WINNING PACKAGING



2026 WorldStar Packaging Award  
Health & Personal Care  
2025 Ameristar Award  
Health & Beauty Aids Category



2025 The Tube Council  
Best Personal Care Gold Award



2025 WorldStar Packaging Award  
Health & Personal Care  
2024 Ameristar Award  
Design Excellence Category

# Sustainable Packaging Solutions

Leading the charge towards a circular economy, we strive to empower our customers with packaging solutions that align with their sustainability goals without compromising quality, functionality or appearance.

## LIGHTWEIGHT TUBES

- Options for thin wall tubes and low profile closures
- New ultra soft option for easy dispensing, bounce-back, and perfect posture

## POST-CONSUMER RECYCLED RESIN (PCR)

- Up to 60% (tubes and closures)
- Up to 100% (deodorant sticks, jars and closures)

## RECYCLABLE AND RECYCLE-READY

- Mono-material structures that comply with the APR Design Guide for Recyclability
- NIR black colorant available for compatibility with recycling

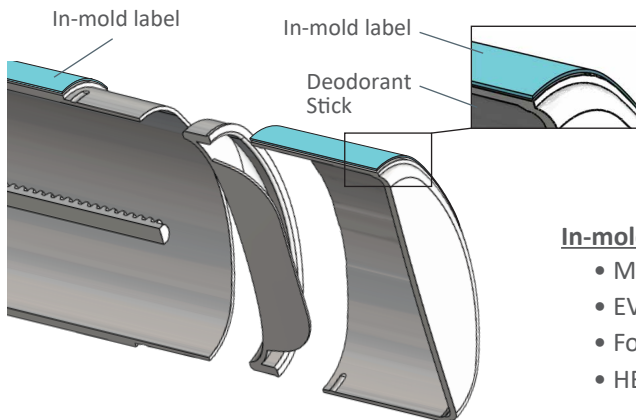
## RE-USE & REFILL

- Cartridge refill systems for sticks
- Pod refill system for jars



## IN-MOLD LABEL STRUCTURE

### Deodorant Stick

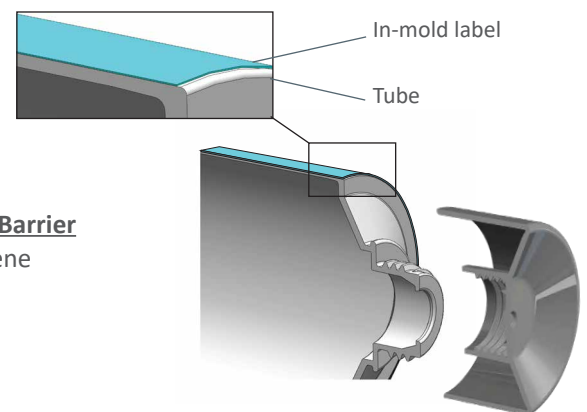


- Barrel & Cap:
- Polypropylene
  - PCR options

### In-mold Label Substrates / Barrier

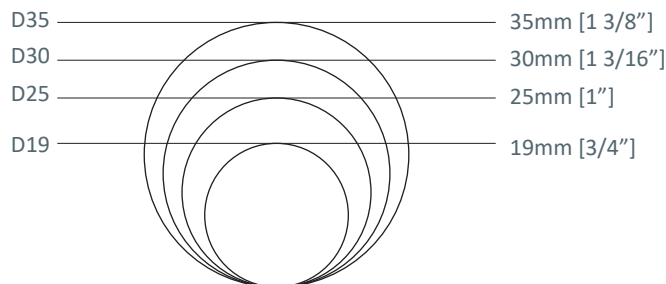
- Monolayer Polypropylene
- EVOH
- Foil
- HBEVOH

### Tube & Cap



- Tube & Cap:
- Polypropylene
  - PCR options

# Round Tubes



See Tube Volume to Size Chart for estimated tube sizes.

Tubes Specs	Tube Diameter		D19 (TR19)		D25 (TR25)		D30 (TR30)		D35 (TR35)	
			19mm	3/4"	25mm	1"	30mm	1 3/16"	35mm	1 3/8"
			Est. Max. Fill	20mL	0.75oz	50mL	1.7oz	65mL	2.25oz	105mL
Orifice Diameter (mm)			8		8		3,4		8,10,10.5	
Accessories Options	Reducer Plug	A01	2,3,5 mm		2,3,5 mm				2,3,5 mm	
	Lip Tip Plug	A02	1.3,2 mm		1.3,2 mm					
	Nose 1 Plug (D19)	A03	1.2 mm		1.2 mm				1.2 mm	
	Nose 2 Plug (D19, 35)	A04	1.3,3 mm		1.3,3 mm				1.3,3 mm	
	Nose 3 Plug	A05	3,4,5,6,7 mm		3,4,5,6,7 mm				3,4,5,6,7 mm	
	TPE Lip Balm (Soft Lip Applicator)	A06	1 mm							
	Round Shoulder	A07			5 mm					
	Scalp Applicator	A08								
	Roll-on Ball Applicator	A09	0.394" ball		0.590" ball		0.787" ball		1" ball	
	Deodorant Head	A10								
	Airless Pump 0.2cc	A11	Lotion/Spray		Lotion				Lotion	
Cap Options	Screw Cap	C01	G/M		G		G		G/M	
	Fliptop Cap	C02			G/M-1.5,3,5mm		G/M-1.5,3,5mm		G/M-1.5,3,5,6mm	
	Tall Screw Cap D19	C04	G/M		G/M					
	Tall Screw Cap D35	C05							G/M	
	Octagonal Cap 17	C06			M					
	Octagonal Cap 21	C07			M		M		M	
	Octagonal Cap 27	C08							M	
	Switch Cap	C09							G	
	Scalp Tube Screw Cap	C10							G	
	Roll-on ball Screw Cap	C11	G		G				G	
Airless Pump Cap	C13	G		G				G		

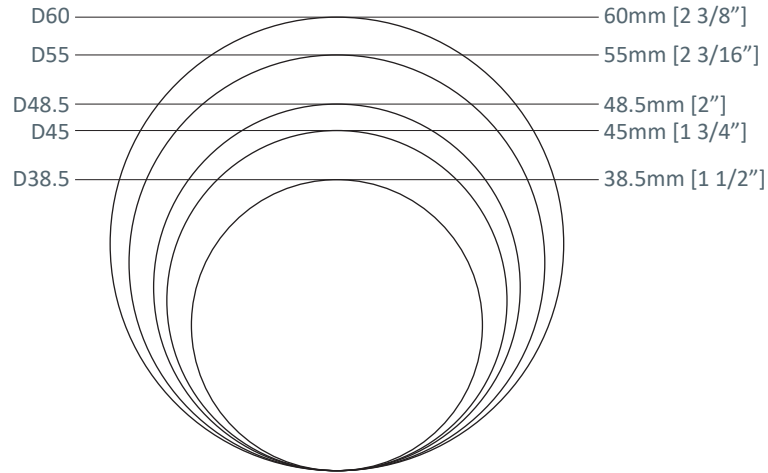
G- Gloss; M- Matte

Product code example, D25 airless pump tube. i.e. Product code [TR25A11C13].

## Accessories



# Round Tubes



See Tube Volume to Size Chart for estimated tube sizes.

Tubes Specs	Tube Diameter	D38.5 (TR38)		D45 (TR45)		D48.5 (TR48)		D55 (TR55)		D60 (TR60)		
		38.5mm	1 1/2"	45mm	1 3/4"	48.5mm	2"	55mm	2 3/16"	60mm	2 3/8"	
		Est. Max. Fill	185mL	6.25oz	220mL	7.5oz	370mL	10oz	370mL	12.5oz	460mL	15.5oz
Orifice Diameter (mm)		10		N/A		10,11.5,14		14		15		
Accessories Options	Reducer Plug	A01	2,3,5mm				2,3,5mm					
	Lip Tip Plug	A02										
	Nose 1 Plug (D19)	A03	1.2mm									
	Nose 2 Plug (D19, 35)	A04	1.3,3mm									
	Nose 3 Plug	A05	3,4,5,6,7mm									
	TPE Lip Balm (Soft Lip Applicator)	A06										
	Round Shoulder	A07										
	Scalp Applicator	A08	1,2,2.6mm				1,2,2.6mm					
	Roll-on Ball Applicator	A09			1.4" ball							
	Deodorant Head	A10	Center/ 3-Slot/ Flower									
	Airless Pump 0.2cc	A11	Lotion									
Cap Options	Screw Cap	C01	G/M				G/M					
	Fliptop Cap	C02	G/M-1.5,2,3,5,6mm				G/M-1.5,3,5,6mm		G/M-3,5,6mm		M-3,5,6,8mm	
	Fliptop Low Profile Cap	C03					G-2.3, 3, 4.5mm					
	Tall Screw Cap D35	C05	G/M									
	Octagonal Cap 27	C08	M									
	Switch Cap	C09	G				G					
	Scalp Tube Screw Cap	C10	G				G					
	Roll-on ball Screw Cap	C11	G		G							
	Deodorant Screw Cap	C12	G									
	Airless Pump Cap	C13	G									
	Flow Control Valve Cap	C14					G					

G- Gloss; M- Matte

## Closures



Screw Cap



Tall Screw cap



Octagonal Cap



Fliptop Cap  
D25-D60

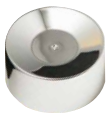


Fliptop Low Profile  
D48.5



Switch Cap

## Cap Finishes



Vacuum Metallized



Hotstamped Ring



Metal Overshell



Partial Metal Overshell

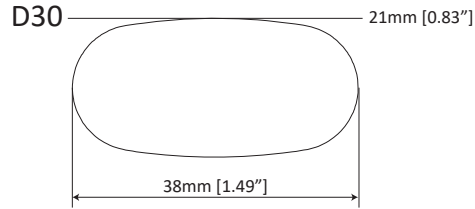


Water-transfer

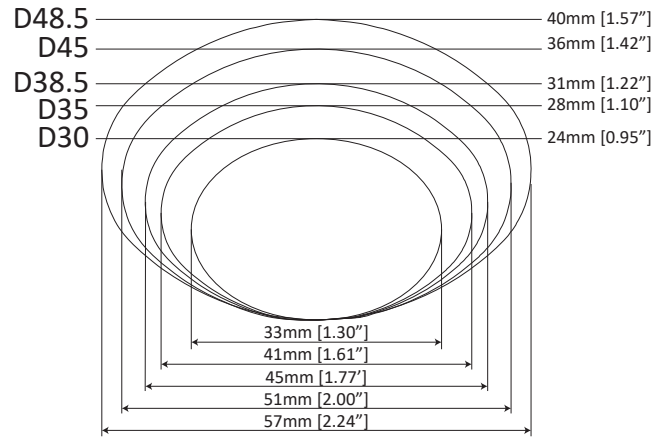


Tri-color Injection

# Oval Tubes



Flat Oval



Round Oval



Flip-top Cap



Screw Cap

Tube Size	Max. Length (mm)	Type	Options / Orifices (mm)	Cap Type	Cap Orifice (mm)	Max. Fill
D30 (TO30)	110	Flat Oval (A13)	1.6, 2	Oval Screw Cap (C17)	G / M	1.85oz / 53mL
	110	Round Oval (A14)	1, 1.5, 3	Oval Screw Cap (C17)	G	1.85oz / 53mL
D35 (TO35)	130	Round Oval (A14)	1.5, 3	Oval Flip-top Cap (C18)	G/M - 1.5, 3	2.90oz / 82mL
D38.5 (TO38)	190	Round Oval (A14)	1.5, 2.6, 6	Oval Screw Cap (C17)	G	5.75oz / 170mL
	190	Round Oval (A14)	1.5, 2.6, 6	Oval Flip-top Cap (C18)	G - 1.5, 2, 3, 5, 6	5.75oz / 170mL
D45 (TO45)	190	Round Oval (A14)	1, 1.8	Oval Flip-top Cap (C18)	M - 1.5, 3, 5, 6	7.43oz / 220mL
D48.5 (TO48)	195	Round Oval (A14)	2.6, 6	Oval Screw Cap (C17)	G	9.25oz / 273mL
	195	Round Oval (A14)	2.6, 6	Oval Flip-top Cap (C18)	G/M - 1.5, 3, 5, 6	9.25oz / 273mL

G- Gloss; M- Matte

Product code example, D38.5 round oval with flip-top cap. i.e. product code [TO38A14C18]

# Estimated Tube Sizes by Volume

Types		D19	D25	D30	D35	D38.5	D45	D48.5	D55	D60
Actual Diameter (mm)		19	25	30	35	38.5	45	48.5	55	60
Actual Diameter (Inch)		3/4	1	1-3/16	1-3/8	1-1/2	1-3/4	2	2-3/16	2-3/8
Shape		Round	Round	Round/Oval*	Round/Oval*	Round/Oval*	Oval*	Round/Oval*	Round	Round
fl. oz.	mL	Tube Body Length (mm)								
0.34	10	60								
0.40	12	70								
0.50	15	80								
0.57	17	90	60							
0.75	20	100	70							
0.85	25		80							
1.00	30		90	75						
1.25	35		100	85						
1.50	45		115	100	90					
1.70	50		130	105	95					
2.00	60			120	105					
2.25	65			130	110					
2.50	75				120	100				
2.75	80				125	105				
3.00	90				135	115		90		
3.25	95				140	120		95		
3.50	105				146	130	115	100		
3.75	110					135	120	105		
4.00	120					145	125	110		
4.25	125					150	130	115		
4.50	130					155	135	120		
4.75	140					160	140	125		
5.00	145					165	145	130		
5.25	155					174	150	135		
5.50	160					180	155	140		
5.75	170					190	160	145		
6.00	175					195	170	150		
6.25	185					200	175	155		
6.75	200						180	160		
7.00	205						185	165	125	
7.50	220						190	170	135	
8.00	235							176	145	
8.50	250							180	150	
9.00	265							190	160	140
9.50	280							200	165	145
10.00	295							206	170	150
10.50	310								180	155
11.00	325								185	160
11.50	340								195	165
12.00	355								200	170
12.50	370								206	175
13.00	385									180
14.00	415									190
15.00	445									200
15.50	460									206

Note: Tube volumes listed above are for reference only. You may select a different length from the chart. Always confirm the final tube length with your contract manufacturer to ensure correct fill weights for your claims

\*See page 6 for maximum oval tube lengths and fill capacities.

# Scalp Tubes

## Precision Application

- Mono-material
- Gloss overcap
- 100% PCR cap & applicator
- Up to 60% PCR tube
- In-mold label decoration, including Velvet Soft Touch
- Barrier: EVOH or foil
- Custom resin colors






Tube Size	Max. Length (mm)	Applicators	Options / Orifices (mm)	Cap Type	Cap Orifice (mm)	Max. Fill
D38.5	180	Scalp Applicator	1, 2, 2.6	Scalp Screw Cap	-	5.50oz / 160mL
D48.5	170	Scalp Applicator	1, 2, 2.6	Scalp Screw Cap	-	7.50oz / 220mL

# Deodorant Tubes

## Wide Applicator

- Mono-material
- Choice of orifice: round or 3-slots
- Choice of applicator: PP or TPE
- Gloss overcap
- 100% PCR cap & applicator
- Up to 60% PCR tube
- In-mold label decoration, including Velvet Soft Touch
- Barrier: EVOH or foil
- Custom resin colors



Tube Size	Max. Length (mm)	Applicators	Options / Orifices (mm)	Cap Type	Max. Fill
D38.5	200	Deodorant Head	 3-Slot 0.8/ 1.2mm Slot  Center Dia. 1.8mm hole  Flower 1mm Slot	Deodorant Screw Cap	6.25oz / 185mL

## Center-Dispensing Caps

### Suitable For Powder Formulas

- Mono-material
- Easy to switch the cap open and closed
- Gloss measuring cup
- 100% PCR cap & applicator
- Up to 60% PCR tube
- In-mold label decoration, including Velvet Soft Touch
- Barrier: EVOH or foil
- Custom resin colors



Tube Size	Max. Length (mm)	Applicators	Cap Type	Cap Orifices (mm)	Max. Fill Weight (Powder)	Max. Fill Volume (Lotion)
D35	146	N/A	Switch Cap	4.5	3.50oz / 105mL	1.87oz / 53g
D38.5	200	N/A	Switch Cap	4.5	6.25oz / 185mL	3.35oz / 95g
D48.5	206	N/A	Switch Cap	4.5	10oz / 295mL	5.29oz / 150g

## Flow Control Valve Caps

### Features

- Covers a wide range of viscosities
- Suitable for a wide range of applications
- 100% PCR option for cap
- Mono-material design (tube and cap)
- Recycle-friendly silicone-free valve
- Controlled and drip-free dispensing
- Clean with no mess
- Custom resin colors



Tube Size	Max. Length (mm)	Applicators	Cap Type	Cap Orifice (mm)	Max. Fill
D48.5	206	N/A	Flow Control Valve Cap	5	10.00oz / 295mL

# Airless Pump Tubes

## Features

- Mono-material metal-free pump option
- For lotion & spray applications
- Dispensing dosage: 0.2cc
- Gloss overcap
- Metallizing options
- Screw-on thread
- Custom resin colors



Tube Size	Max. Length (mm)	Dosage	Options / Orifices	Cap Type	Max. Fill	Spring Option
D19	100	Airless Pump 0.2cc	Spray / Lotion	Airless Pump Cap	0.75oz / 20mL	Metal
D25	130	Airless Pump 0.2cc	Lotion	Airless Pump Cap	1.70oz / 50mL	Metal / Metal Free
D35	146	Airless Pump 0.2cc	Lotion	Airless Pump Cap	3.5oz / 105mL	Metal / Metal Free
D38.5	200	Airless Pump 0.2cc	Lotion	Airless Pump Cap	6.25oz / 185mL	Metal / Metal Free

# Dual Chamber Tubes

## Two formulas in One tube

- Mono-material
- Choice of cap: 1-flip or 2-flips
- Gloss or matte fliptop cap
- 100% PCR cap and Up to 60% PCR tube
- In-mold label decoration, including Velvet Soft Touch
- Barrier: EVOH or foil
- Custom resin colors



2 Compartments (equal volumes)



2 Flips, 2 orifices Orifice~ 1.5, 3, 5mm  
1 Flip, 2 orifices Orifice~ 1.5, 3, 5mm



Tube Size	Max. Length (mm)	Applicators	Cap Type	Cap Orifice (mm)	Max. Fill
D48.5 Dual Chamber (TD48)	188.5	N/A	1 Flip, 2 Orifices Cap (C15)	1.5, 3, 5	4+4 (oz) 118+118 (mL)
	188.5	N/A	2 Flips, 2 Orifices Cap (C16)	1.5, 3, 5	4+4 (oz) 118+118 (mL)

Product code example, D48.5 Dual Chamber tube with 2 flips, 2 orifices cap. i.e. Product code [TD48C16].

## Roll-on Tubes

### Roll-on Applicator

- Mono-material
- Gloss overcap
- 100% PCR collar and cap
- In-mold label decoration, including Velvet Soft Touch
- Barrier: EVOH or foil
- Custom resin colors



Tube Size	Max. Length (mm)	Applicators	Options / Orifices (mm)	Cap Type	Max. Fill
D19	88	Roll-on Ball	0.394" ball	Roll-on Ball Screw Cap	0.56oz / 16.5mL
D25	110	Roll-on Ball	0.590" ball	Roll-on Ball Screw Cap	1.52oz / 45mL
D30	110	Roll-on Ball	0.787" ball	Roll-on Ball Screw Cap	1.79oz / 53mL
D35	130	Roll-on Ball	1"ball	Roll-on Ball Screw Cap	2.77oz / 82mL
D45	190	Roll-on Ball	1.4" ball	Roll-on Ball Screw Cap	7.43oz / 220mL

## Roll-on Bottles

- Mono-material
- Gloss overcap
- Up to 100% PCR Bottle and Cap
- Pressure sensitive label (PS label) decoration
- Custom resin colors



Bottle Material	Bottle Shape	Max. Fill (mL)	Cap	Ball Diameter (mm)	Ball Diameter (inch)	Ball Finishes
PP (BP)	Conical (CN)	40 (V40)	Screw Cap (SRC)	20	0.787"	Matte
	Cylindrical (CY)	50 (V50)	Screw Cap (SRC)	20	0.787"	Matte
	Conical (CN)	90 (V90)	Screw Cap (SRC)	35.6	1.4"	Matte
	Cylindrical (CY)	100 (100)	Screw Cap (SRC)	35.6	1.4"	Matte
PE (BE)	Cylindrical (CY)	100 (100)	Screw Cap (SRC)	25.4	1"	Matte

Product code example, PE 100mL bottle. i.e. Product code [BECY100SRC].

**NEW!**

**INTRODUCING  
VIVA'S**

**OVER 20  
OPTIONS!**

# DEODORANT FAMILY

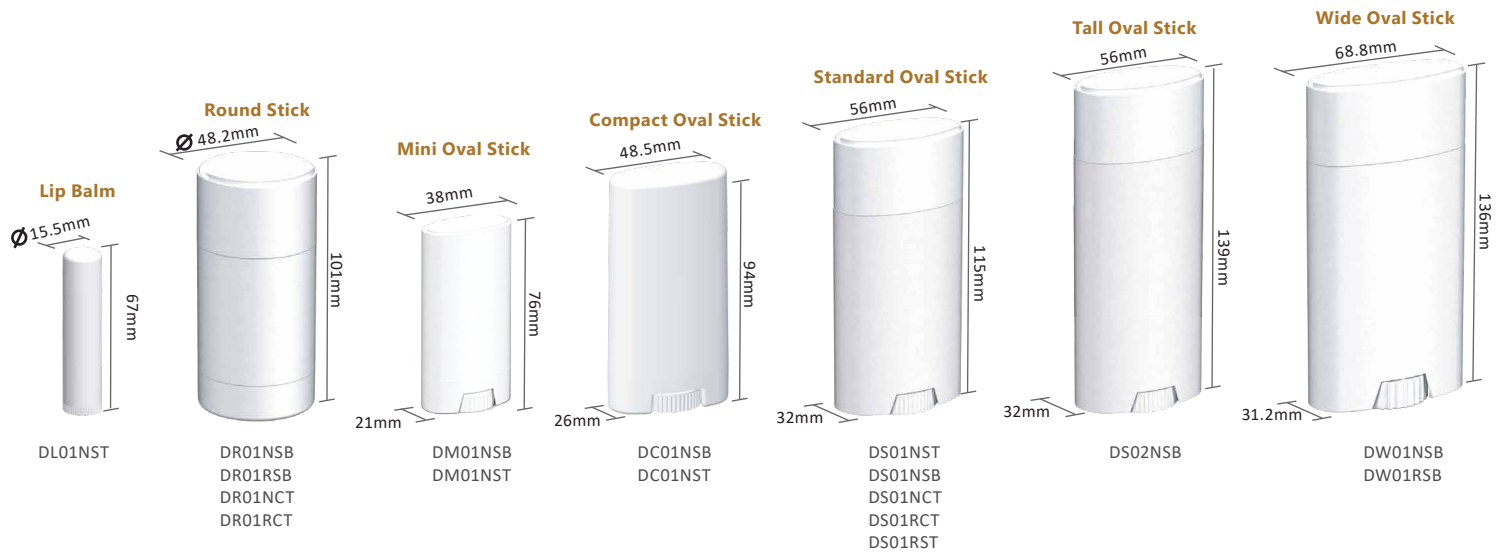
**Made in  
North  
America**



**WE'VE GOT YOU COVERED**

**Packaging for Pits, Privates and Personal Preferences**

- High definition In-mold label decoration
- Top and bottom fill options
- Solid and semi-solid formats
- Water-transfer decoration
- Recyclable and recycle-ready mono-material formats
- Up to 100% PCR
- Refill Cartridge Systems
- Sealing ring options



## Specifications - Sticks

Category	Version	Refill Options	Product	Fill Process	Fill Volume		Decoration	Product Code	Top Fill Cream Applicator
					gram (g)	ounce (oz)			
Standard Oval (DS)	STD (01)	Non-refill (N)	Solid (S)	Top (T)	75	2.65	IML	DS01NST	N/A
	STD (01)	Non-refill (N)	Solid (S)	Bottom (B)	75	2.65	IML	DS01NSB	N/A
	STD (01)	Non-refill (N)	Cream (C)	Top (T)	65	2.29	IML	DS01NCT	
	STD (01)	Refill (R)	Cream (C)	Top (T)	65	2.29	IML	DS01RCT	
	STD (01)	Refill (R)	Solid (S)	Bottom (B)	65	2.29	IML	DS01RST	N/A
Tall Oval (DS)	139 (02)	Non-refill (N)	Solid (S)	Bottom (B)	100	3.53	IML	DS02NSB	N/A
Wide Oval (DW)	STD (01)	Non-refill (N)	Solid (S)	Bottom (B)	105	3.7	IML	DW01NSB	N/A
	STD (01)	Refill (R)	Solid (S)	Bottom (B)	100	3.53	IML	DW01RSB	N/A
Round (DR)	STD (01)	Non-refill (N)	Solid (S)	Bottom (B)	75	2.65	IML	DR01NSB	N/A
	STD (01)	Refill (R)	Solid (S)	Bottom (B)	75	2.65	IML	DR01RSB	N/A
	STD (01)	Non-refill (N)	Cream (C)	Top (T)	70	2.47	IML	DR01NCT	
	STD (01)	Refill (R)	Cream (C)	Top (T)	70	2.47	IML	DR01RCT	
Mini Oval (DM)	STD (01)	Non-refill (N)	Solid (S)	Bottom (B)	14	0.49	PS Label / Silkscreen	DM01NSB	N/A
	STD (01)	Non-refill (N)	Solid (S)	Top (T)	14, 15.5	0.49, 0.55	PS Label / Silkscreen	DM01NST	N/A
Compact Oval (DC)	STD (01)	Non-refill (N)	Solid (S)	Bottom (B)	38	1.34	PS Label / Silkscreen	DC01NSB	N/A
	STD (01)	Non-refill (N)	Solid (S)	Top (T)	40	1.41	PS Label / Silkscreen	DC01NST	N/A
Lip Balm (DL)	STD (01)	Non-refill (N)	Solid (S)	Top (T)	4.25	0.15	PS Label / Silkscreen	DL01NST	N/A

Product code example, Top Fill Solid Mini Oval Stick . i.e. Product code [DM01NST].

● Fill volumes are measured from platform top to the barrel top edge

# Jars

## GLASS REPLACEMENT THICK WALL JARS

- Glass-like clarity and opaque options
- No crystallization
- PET jar / PP lid (includes foam liner)
- Up to 100% PCR for jar and lid
- Custom resin colors (including bi-color)
- 7mL, 15mL, 30mL, 50mL, 75mL, 100mL



Material	Jar Type	Size	Sealing	Lid	Diameter	Height	Max Fill	Neck Finish	Decoration
PET (JT)	Thick Wall Jar (01)	7ml (V07)	No Seal (NS) / Induction Seal (IS) / Topette (TP)	No Lid (NL) / Lid (LD)	36	28.9	0.23 oz / 7mL	33-400	HTL / Silksceen
		15ml (V15)			41.6	33.7	0.5oz / 15mL	38-400	HTL / Silksceen
		30ml (V30)			51.4	40.5	1oz / 30mL	48-400	HTL / Silksceen
		50ml (V50)			57	47.6	1.7oz / 50mL	53-400	HTL / Silksceen
		75ml (V75)			60.4	53.8	2.53oz / 75mL	58-400	HTL
		100ml (100)			68.8	57.5	3.38oz / 100mL	66-400	HTL

Product code example, 30mL Thick Wall PET jar with induction seal and lid. i.e. Product code [JT01V30ISLD].

## REFILLABLE JARS (50ML)

- Easy to use, easy to remove and refill
- Crystal clear PET outer jar
- Choice of Polypropylene or Polyethylene inner refill pod and jar lid
- Topette or foil seal
- Up to 100% PCR for jar, lid and pod refill
- Custom resin colors (including bi-color)



Material	Jar Type	Size	Sealing	Lid	Diameter	Height	Max Fill	Neck Finish	Decoration
PET (JT)	Refill jar (02)	50ml (V50)	Induction Seal (IS) / Topette (TP)	Lid (LD)	61.4	48.5	1.70oz / 50mL	58-400	HTL / Silksceen

Product code example, 50mL Refill PET jar with topette sealing and lid. i.e. Product code [JT02V50TPLD].

## POLYPROPYLENE JARS

- Lightweight and double-wall features
- Mono-material Polypropylene jar and lid
- Up to 100% PCR for jar and lid
- Custom resin colors



**COMING SOON**

## JAR DECORATION

- Heat Transfer Label (HTL)
- Silkscreening
- Spray varnish (e.g., matte, soft touch, chameleon)
- Water-transfer



**Heat Transfer Labeling**



**Silkscreening**

## LID DECORATION

- Hotstamping
- Vacuum Metallization
- Water-transfer



**Full Coverage  
Hotstamping**

**Vacuum  
Metallization**

**Water-Transfer  
Decoration**

## SEALING OPTIONS

- Induction Seal
- Topette



**Induction Seal    Topette**

# Droppers

## Features

- TPE (Monoprene)
- Wide range of dropper options
- Various pipette length for glass and plastic
- Up to 100% PCR collar
- Custom resin colors



### Bulb Material

- TPE (Monoprene)

### Collar

- PCR options
- Single / Double wall options



Single Wall Double Wall

### Decoration

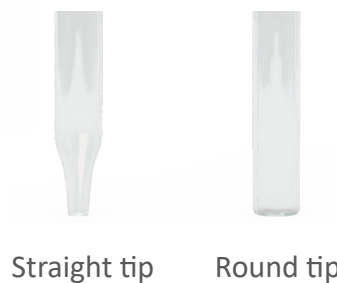
- Metal overshell
- Metallization
- Water-transfer



Metal overshell Metallization Water-transfer

### Pipette

- Plastics / Glass
- Round tip / Straight tip



Straight tip Round tip

Family	Wall Type	Neck Finish	Pipette Type
TPE (Monoprene) (RT)	Single Wall (SW)	15-415 (115)	Glass Round tip (GRT) / Glass Straight (GST) / Plastic Straight Tip (PST)
	Single Wall (SW)	20-410 (310)	
	Double Wall (DW)	20-410 (310)	

Product code example, TPE Bulb, 15-415 single wall collar, glass round tip . i.e. product code [RTSW115GRT].

## Soft Touch

- Ultra soft feel
- Abrasion-resistant
- Fingerprint-resistant
- Dust-resistant



## Water-Transfer

- Wood-look (broad range of patterns available)
- Suitable for a wide range of applications, including closures, collars and deodorant sticks
- Durable overcoat protection



## Metallization / Spray Coating

- Suitable for a wide range of applications, including closures, collars and deodorant sticks
- Superb for irregular shapes that are difficult to cover
- Durable finish resistant to wear, scratches, and water

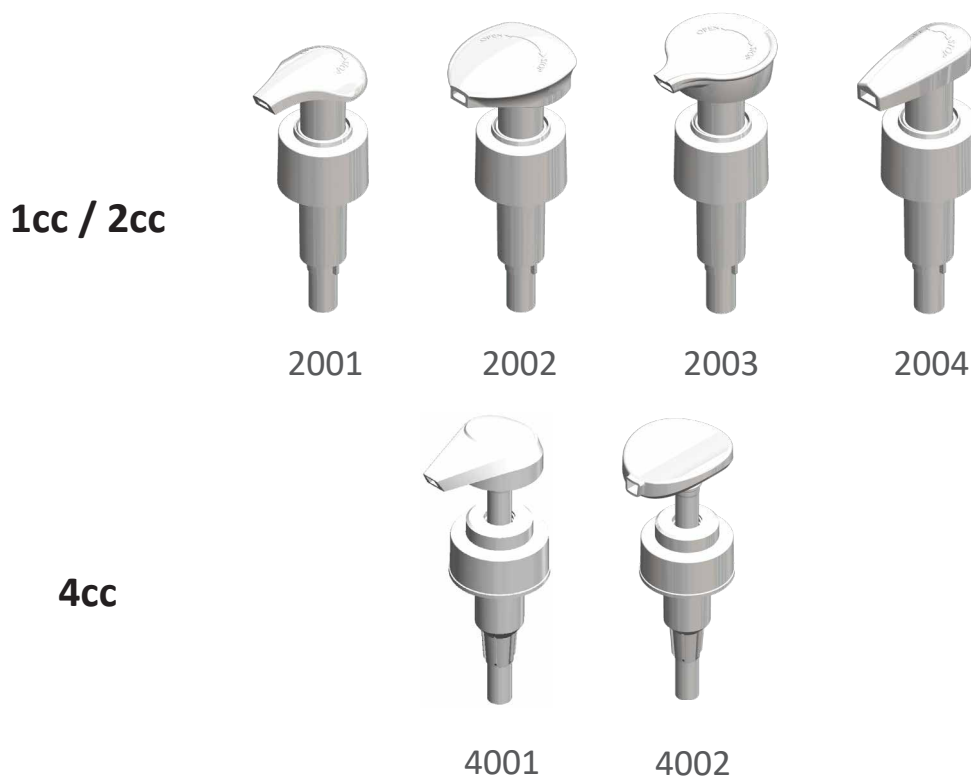


# Diptube Pumps - Coming Soon

## Features

- Dosage: 1cc, 2cc, 4cc
- PCR options
- Smooth or ribbed closure design
- Metallization or hot stamping on collar
- Custom resin colors
- Custom options for actuator, chaplet and closure

## Available Actuators



Dosage	Lock Design	Neck Finish	Spring Material	Actuator
1cc (PD1U)	Up Lock	24-410 (410)	Metal (M) / Metal-free (P)	2001 (01) / 2002 (02) / 2003 (03) / 2004 (04) /  4001 (05) / 4002 (06)
		28-410 (510)		
2cc (PD2U)	Up Lock	24-410 (410)	Metal (M) / Metal-free (P)	
		28-410 (510)		
4cc (PD4D)	Down Lock	28-410 (510)	Metal (M)	
		33-410 (610)		

Product code example, 4cc dosage, neck finish 28-410 with 4001 actuator. i.e. product code [PD4D510M05].

## Compacts - Coming Soon

### Features

- Glass-like clear and opaque options
- Built-in mirror for convenience
- Applicator included (e.g., powder puff, sponge)
- Snap closure to protect contents from damage
- Metallization / silkscreen / hotstamp decoration
- PCR options
- Custom resin colors



**Diameter 73mm x 16mm**



**67mm x 67mm x 19mm**

## Contacts

### *North America* - VIVA HEALTHCARE PACKAGING (CANADA) LTD.

1663 Neilson Road, Toronto, Ontario, M1X 1T1

Tel: (416) 818-9203

Name	Email	Mobile
Bruno Lebeault	<a href="mailto:BrunoL@marketing-vivacanada.com">BrunoL@marketing-vivacanada.com</a>	(416) 500-2602
Darryl Laing	<a href="mailto:DarrylL@marketing-vivacanada.com">DarrylL@marketing-vivacanada.com</a>	(416) 891-2509
Stephen Kapparis	<a href="mailto:StephenK@marketing-vivacanada.com">StephenK@marketing-vivacanada.com</a>	(647) 535-9000
Melanie Gaudun	<a href="mailto:MelanieG@marketing-vivacanada.com">MelanieG@marketing-vivacanada.com</a>	(416) 818-9203

### *Europe* - VIVA PACKAGING EUROPE NV

Noorderlaan 31A, 2030 Antwerp, Belgium

Tel: (32) 3201.9797

Name	Email	Mobile
Frank Van den Kieboom	<a href="mailto:frank.vandenkieboom@vivapackaging.be">frank.vandenkieboom@vivapackaging.be</a>	(32) 475-569669

### *Asia Pacific* - VIVA HEALTHCARE PACKAGING (HK) LTD.

17/F One Island South, No. 2 Heung Yip Road, Wong Chuk Hang, Hong Kong

Tel: (852) 2870-0119

Name	Email	Mobile
Andre Cheung	<a href="mailto:andre.cheung@viva.com.hk">andre.cheung@viva.com.hk</a>	(852) 9222-4266